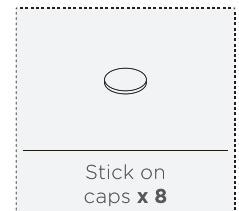
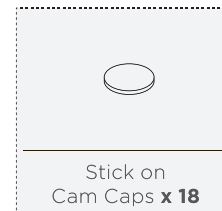
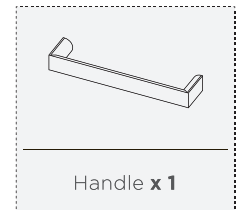
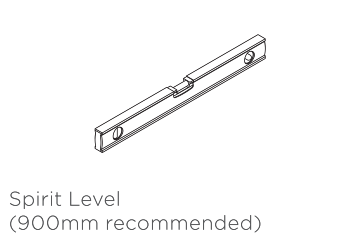
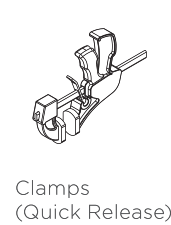
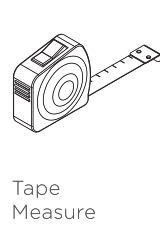
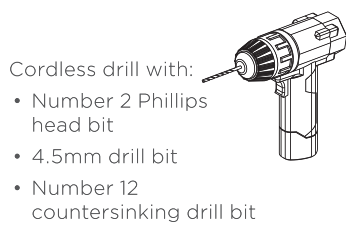


## Hardware Included



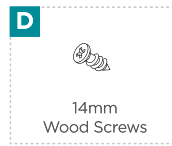
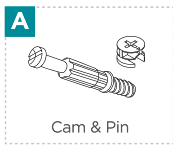
## Tools you will need

To put your cabinets together you will need the following tools.

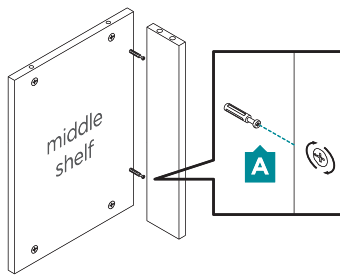


### Important notice

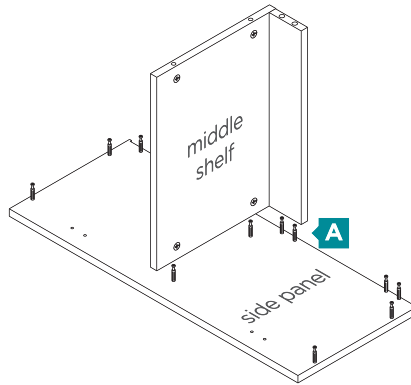
- Make sure you leave plumbing and electrical work to qualified trades people. Never try this yourself.
- If you have any questions, contact us on: **Australia: 1800 666 078** Monday to Friday between 8:00am and 6:00pm AEST, **New Zealand: 0800 522 663** Monday to Friday between 8:00am and 5:30pm NZST or email: [info@flatpax.com.au](mailto:info@flatpax.com.au)



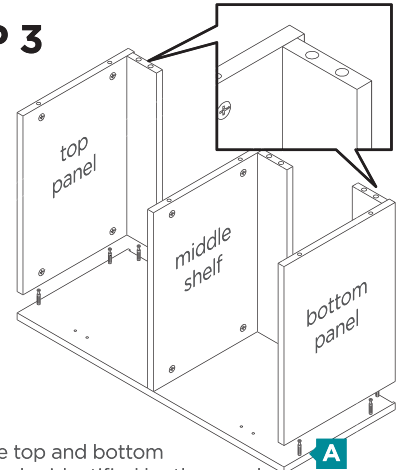
## STEP 1



## STEP 2

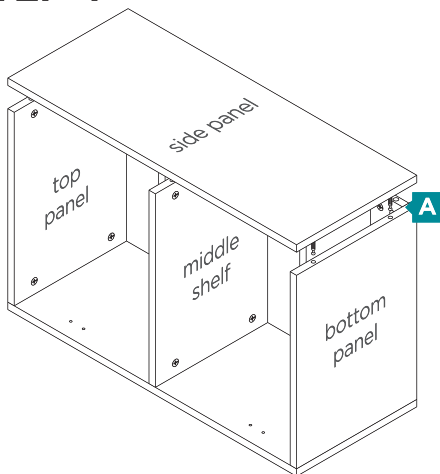


## STEP 3

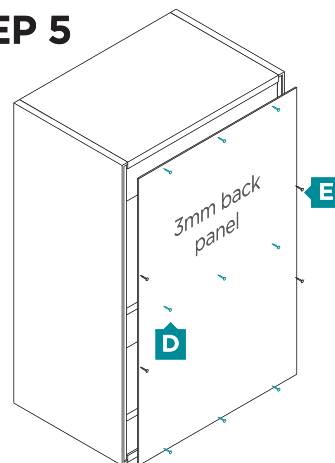


**note:** The top and bottom panel can be identified by the panel protruding past the support rail 5mm.

## STEP 4

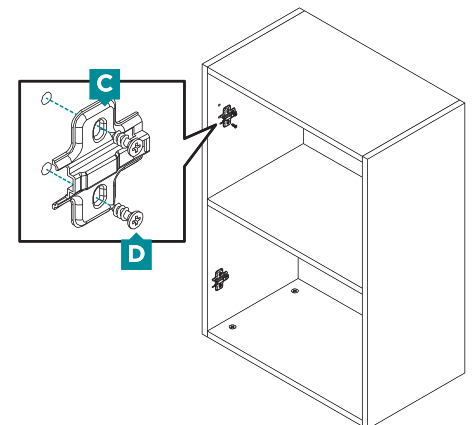


## STEP 5

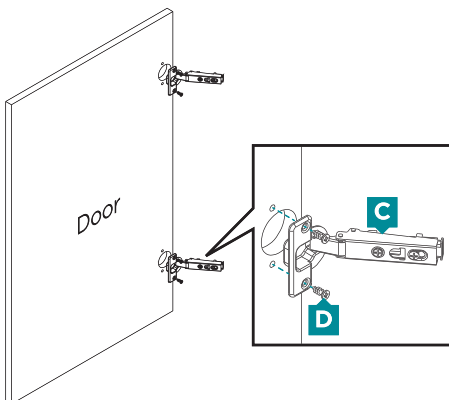


**note:** The white side of the back panel should face inside the cabinet.

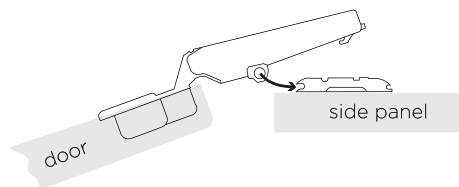
## STEP 6



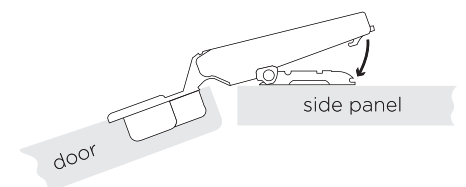
## STEP 7



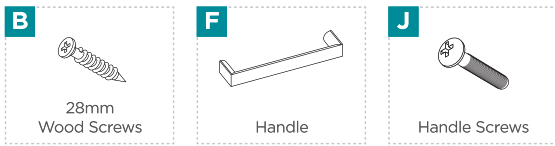
## STEP 8



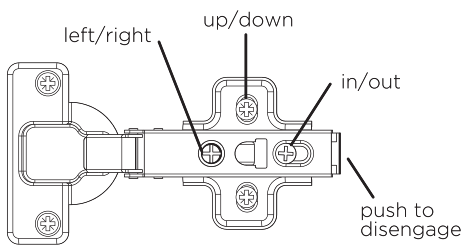
Clip the door onto the hinge plates.



Now push down to clip hinge securely together.

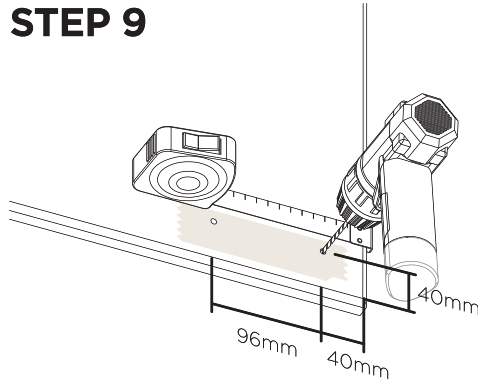


## STEP 8



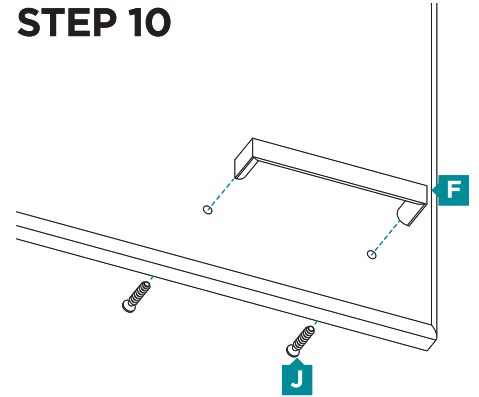
To align doors adjust marked screws.

## STEP 9

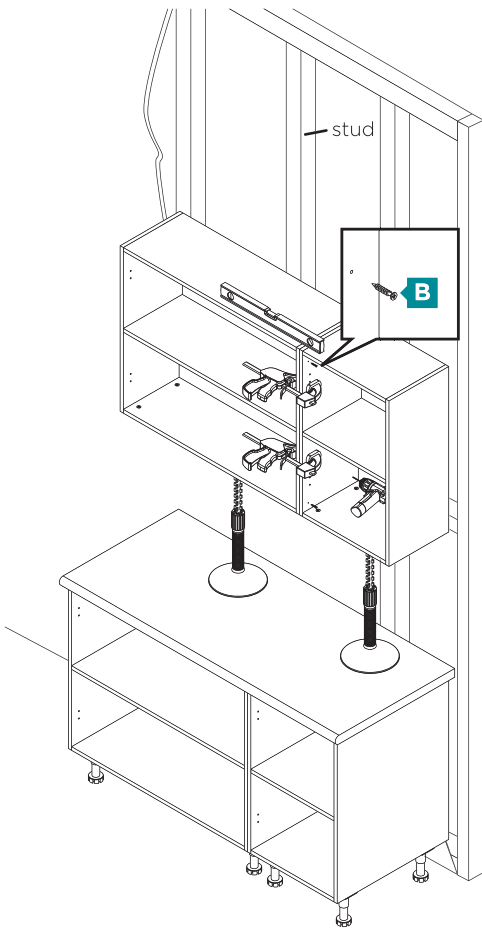


Place masking tape on both sides of the door where holes will be drilled to avoid chipping. Pre-drill using 4.5mm drill bit

## STEP 10

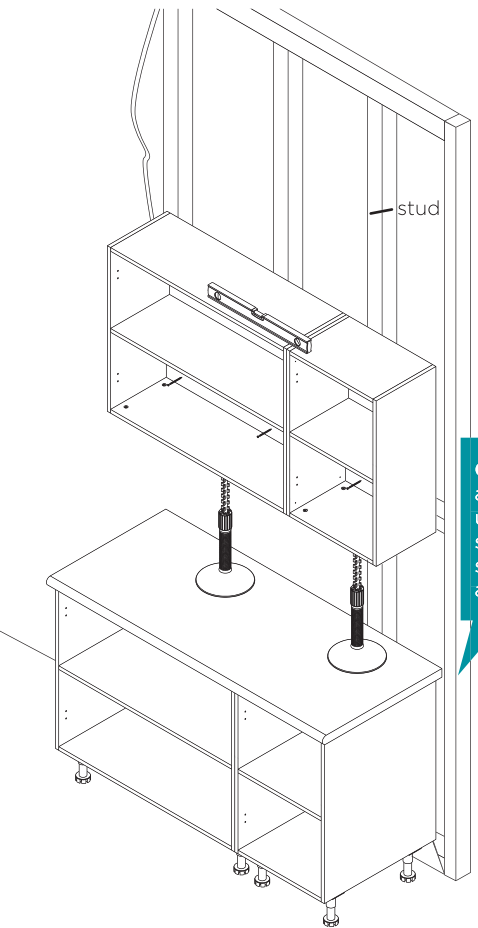


## STEP 11



Check cabinets are level then clamp together. Pre-drill using 2mm drill bit and attach cabinets together.

## STEP 12



**Caution:** Please ensure all cabinets are screwed into your timber stud wall using a minimum of 65mm timber screws. If attaching to concrete, brick, steel or any other substrates seek advice from your hardware specialist.