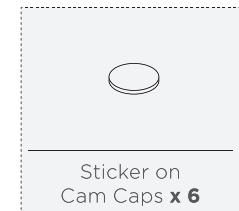
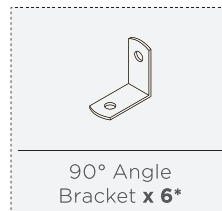
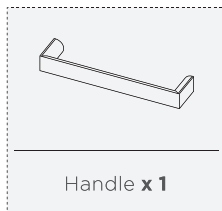
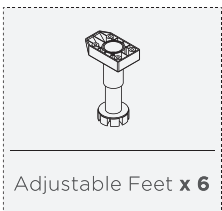
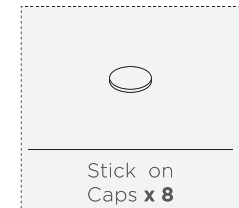
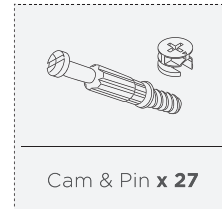


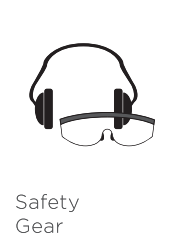
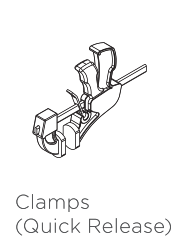
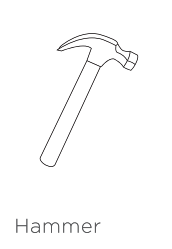
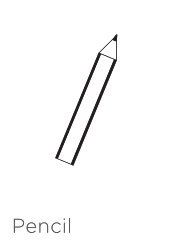
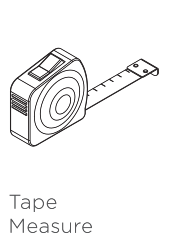
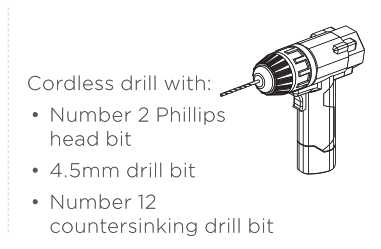
Hardware Included



*Angle bracket is used to attach the benchtop to the cabinet.

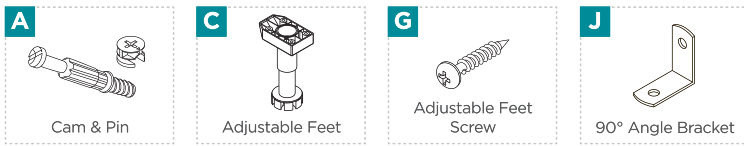
Tools you will need

To put your cabinets together you will need the following tools.

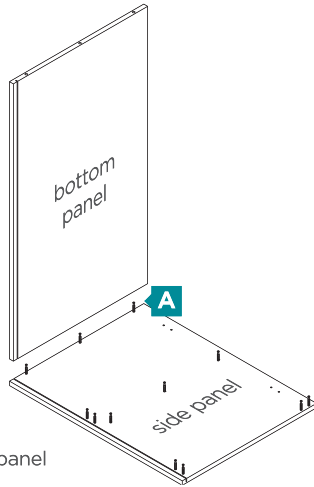


Important notice

- Make sure you leave plumbing and electrical work to qualified trades people. Never try this yourself.
- If you have any questions, contact us on: **Australia: 1800 666 078** Monday to Friday between 8:00am and 6:00pm AEST, **New Zealand: 0800 522 663** Monday to Friday between 8:00am and 5:30pm NZST or email: info@flatpax.com.au

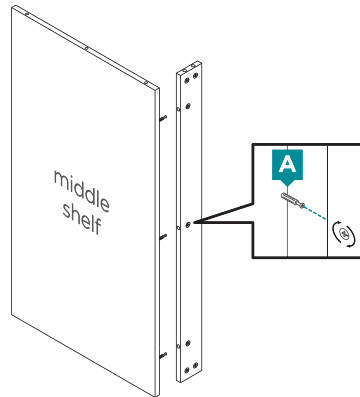


STEP 1



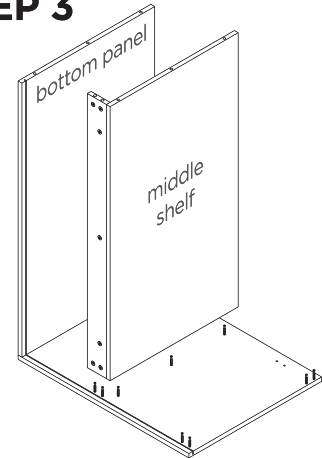
Attach bottom panel to side panel.

STEP 2



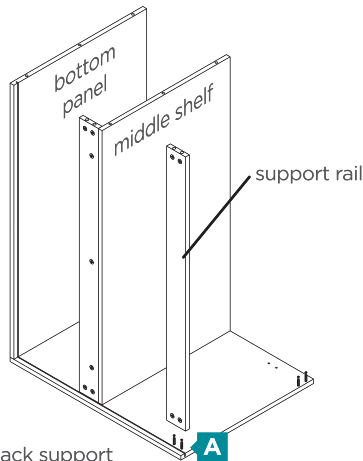
Attach support rail to middle shelf.

STEP 3



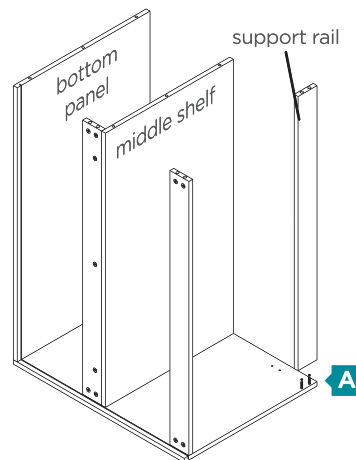
Attach middle shelf to the side and base.

STEP 4

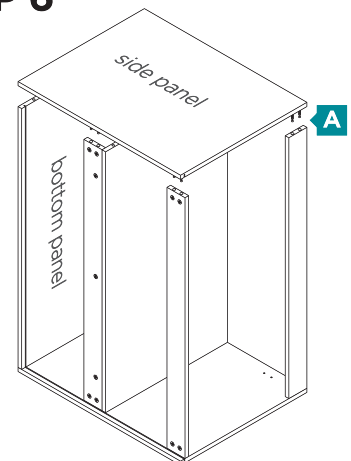


Attach back support rail to the side.

STEP 5

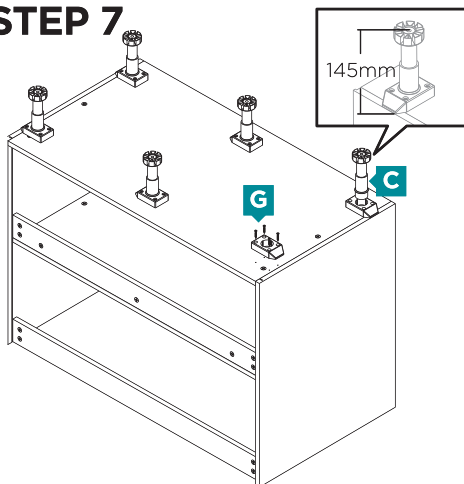


STEP 6



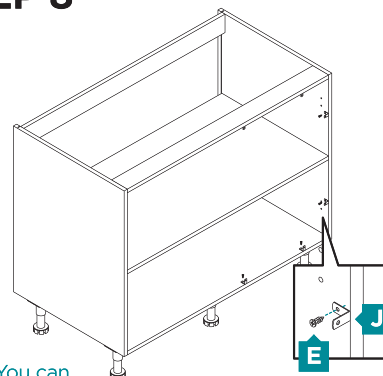
Attach remaining side panel.

STEP 7



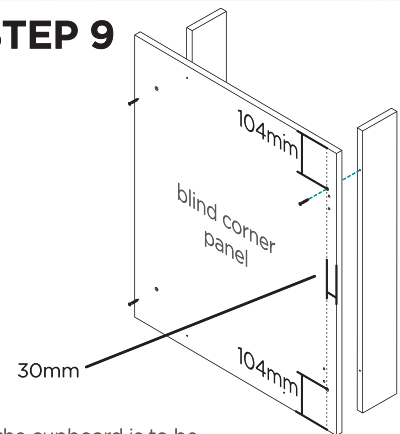
Set the height of the adjustable feet to 145mm to suit the kickboard.

STEP 8

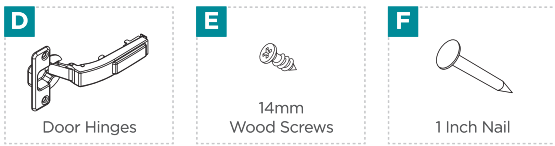


note: You can change the orientation of the cupboard for either left or right opening via the placement of the blind corner panel on the cabinet. Consider the layout before installing the panel. This image has the door on the left hand side of the cabinet.

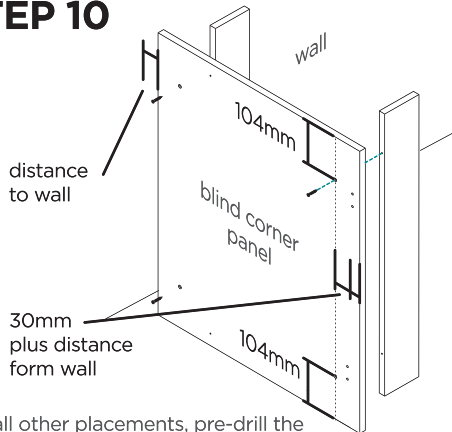
STEP 9



If the cupboard is to be installed hard up against a corner, use the measurements above and pre-drill for the filler panel. For all other placements, refer to step 10. Attach both filler panels.

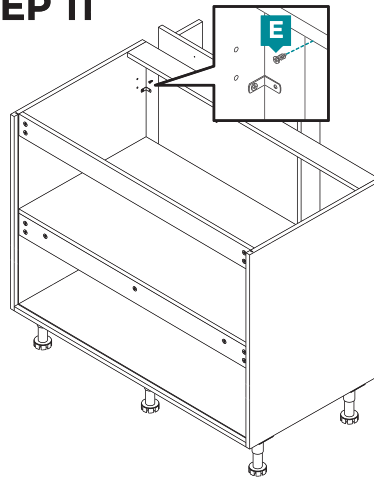


STEP 10

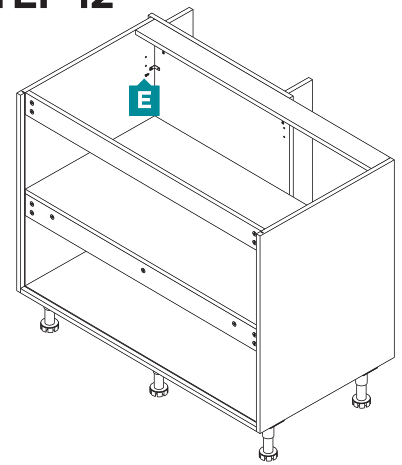


For all other placements, pre-drill the blind corner panel 30mm + the distance from the end of the panel to the wall when installed.

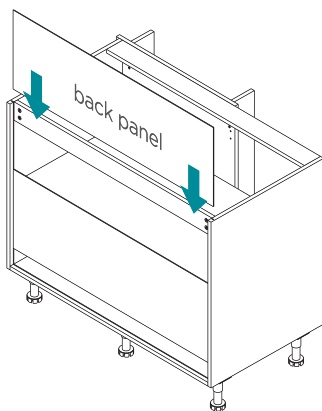
STEP 11



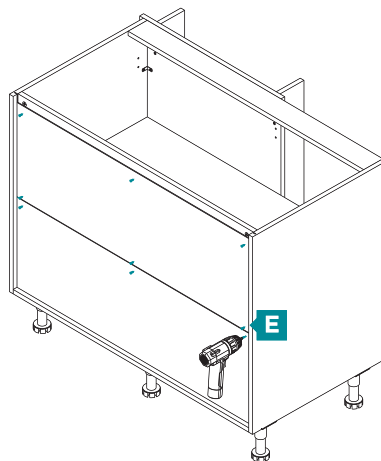
STEP 12



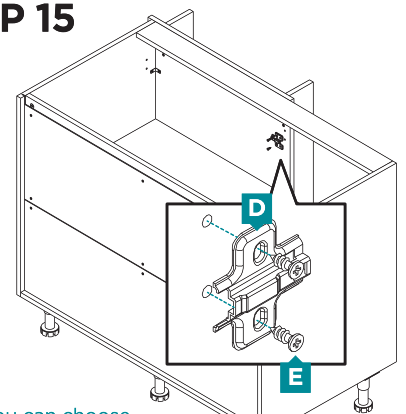
STEP 13



STEP 14

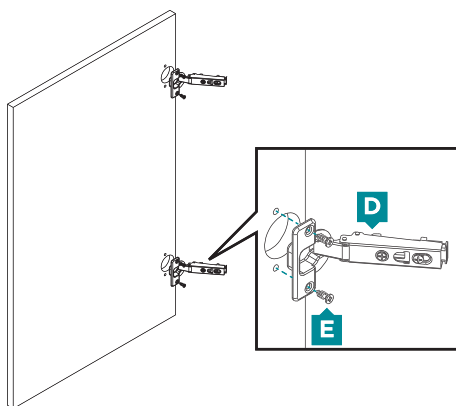


STEP 15

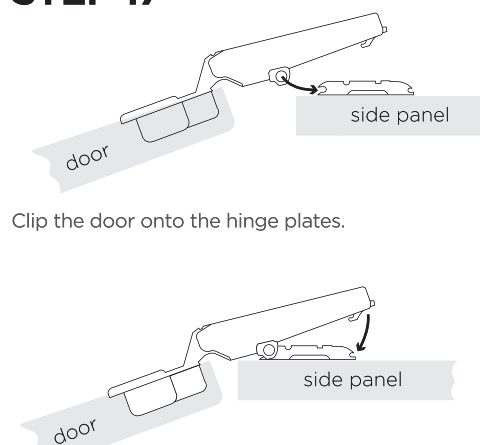


note: You can choose to either mount your door to the cabinet or the blind corner panel. Hammer in the lugs on the surface that you want your door to be hinged from.

STEP 16

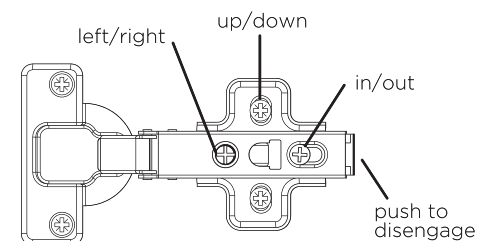


STEP 17

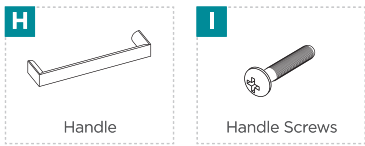


Clip the door onto the hinge plates.

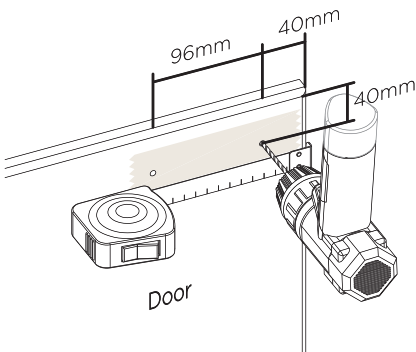
Now push down to clip hinge securely together.



To align doors adjust marked screws.

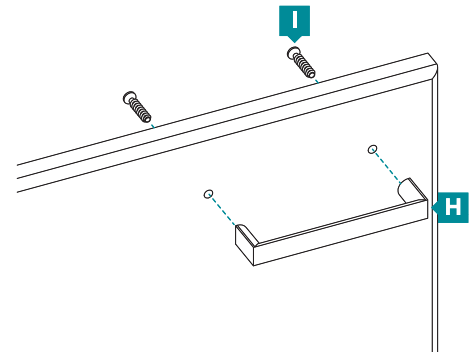


STEP 18

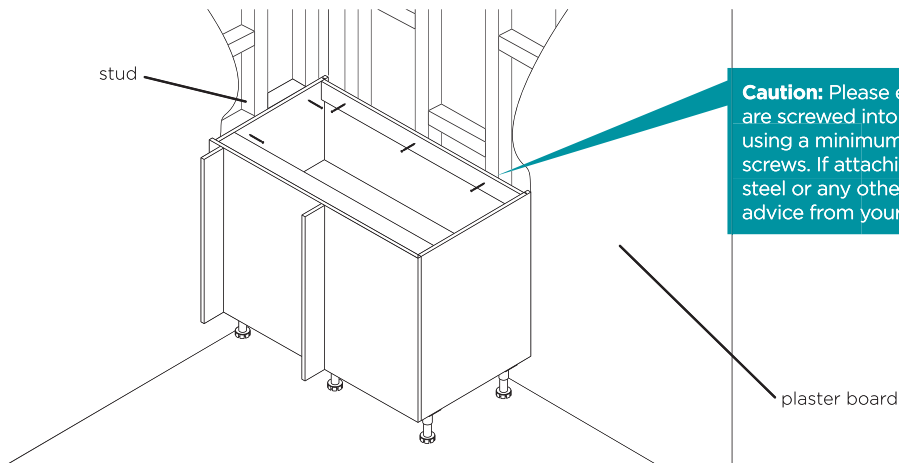


Place masking tape on both sides of the door where holes will be drilled to avoid chipping. Pre-drill using 4.5mm drill bit

STEP 19

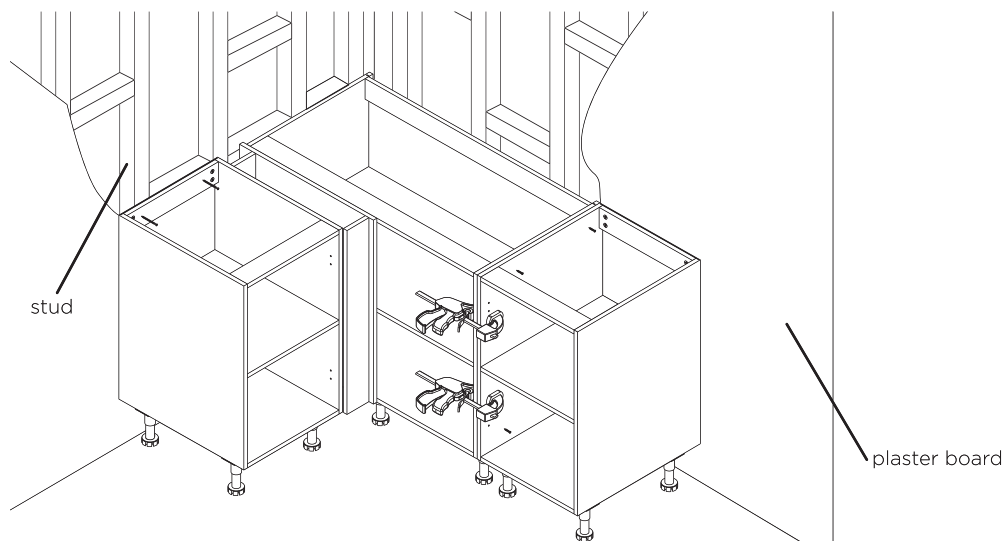


STEP 20



Caution: Please ensure all cabinets are screwed into your timber stud wall using a minimum of 65mm timber screws. If attaching to concrete, brick, steel or any other substrates seek advice from your hardware specialist.

STEP 21



We offer a dedicated customer service line for advice or any questions you may have on Flatpax products.

If you have any questions, contact us on: **Australia: 1800 666 078**
Monday to Friday between 8:00am and 6:00pm AEST,
New Zealand: 0800 522 663 Monday to Friday between 8:00am
and 5:30pm NZST or email: info@flatpax.com.au.