

Hardware Included

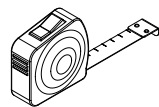
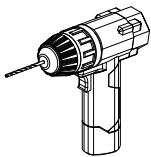
Cam & Pin x 19	M4X28mm Screws x 5	Handle Screws x 4
14mm Wood Screws x 16	Door Hinges x 4	Handle x 2
Door Buffer x 4	Sticker on Caps x 19	

Tools you will need

To put your cabinets together you will need the following tools.

Cordless drill with:

- Number 2 Phillips head bit
- 4.5mm drill bit
- Number 12 countersinking drill bit



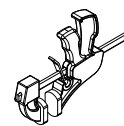
Tape Measure



Pencil



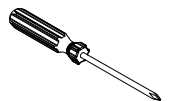
Hammer



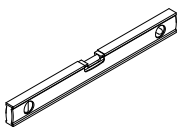
Clamps (Quick Release)



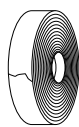
Safety Gear



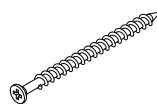
Phillips Head Screw Driver



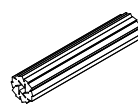
Spirit Level (900mm recommended)



Masking Tape



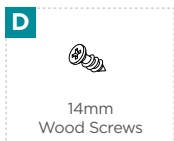
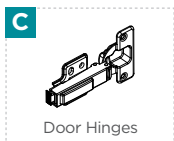
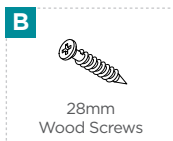
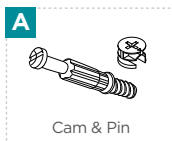
65mm Wood Screw



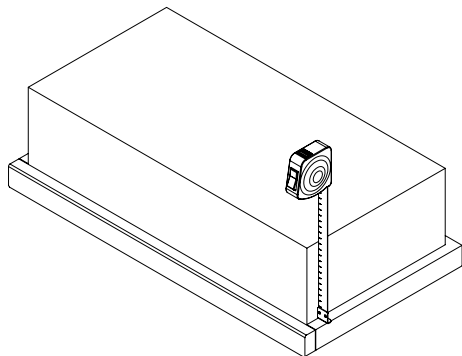
Wall Fixing (If Necessary)

Important notice

- Make sure you leave plumbing and electrical work to qualified trades people. Never try this yourself.
- If you have any questions contact us on **1800 666 078** Monday to Friday between 8:00am and 6:00pm AEST or email: info@flatpax.com.au.

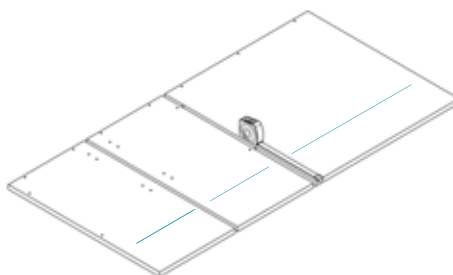


STEP 1

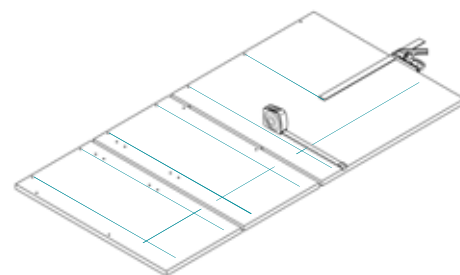


Measure your chosen rangehood from the top of the stepped out base, to the top of the unit as shown. Add 8mm on to this measurement.

STEP 2

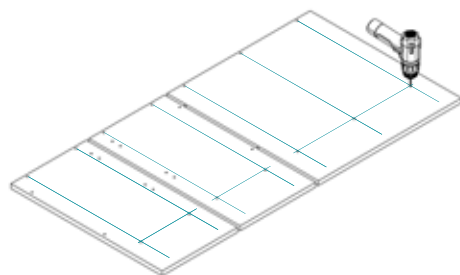


Measure this distance (rangehood body + 8mm) up from the bottom of the back and side panels and mark a line across the panels.



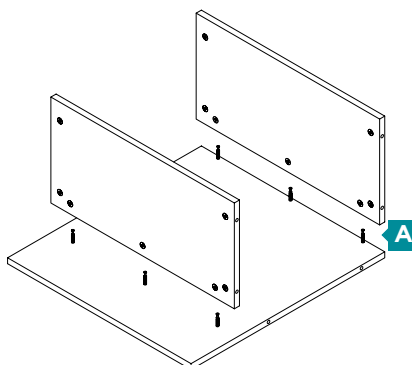
Using a builders square, precisely trace down the centre points of the top row of holes on the base and side panels until you cross the first line.

STEP 3



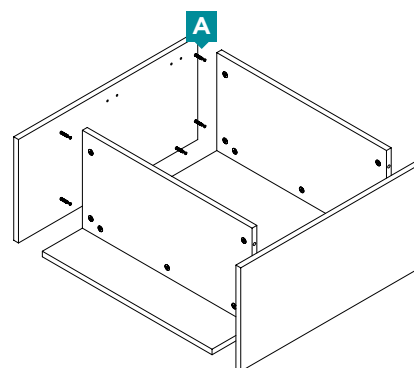
Double check the measurements of all of these lines. They will need to be exact for your cabinet to go together correctly. Where the lines intersect drill a 5mm hole to 12mm deep.

STEP 4

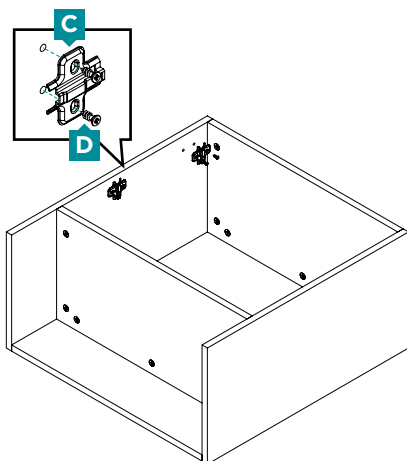


Insert pins into these new holes and assemble the cabinet.

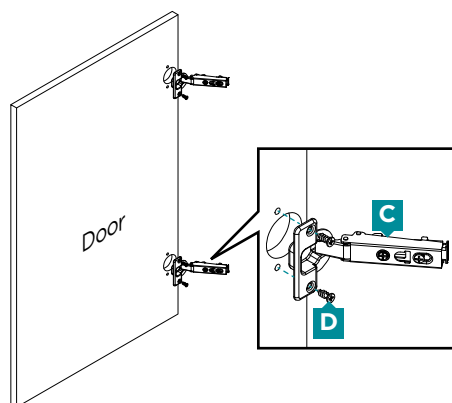
STEP 5



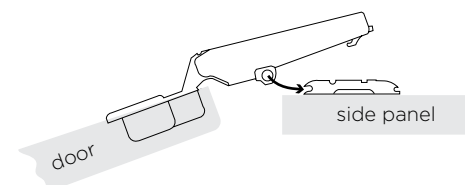
STEP 6



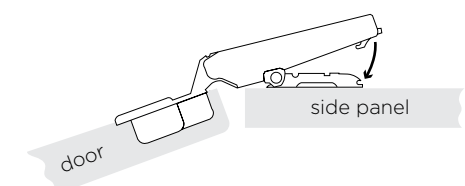
STEP 7



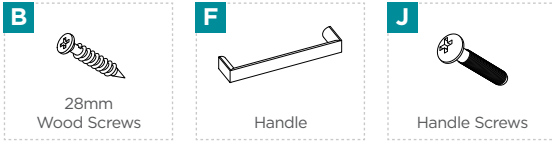
STEP 8



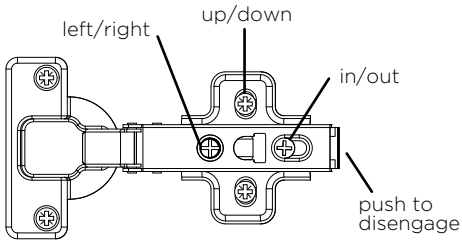
Clip the door onto the hinge plates.



Now push down to clip hinge securely together.

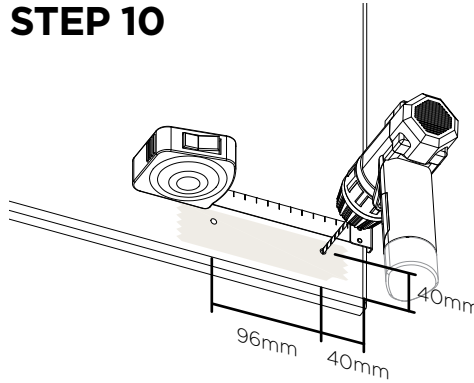


STEP 9



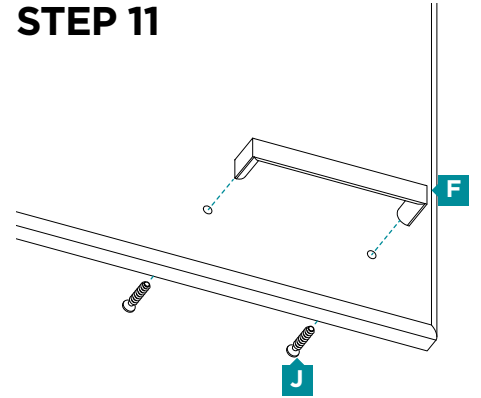
To align doors adjust marked screws.

STEP 10

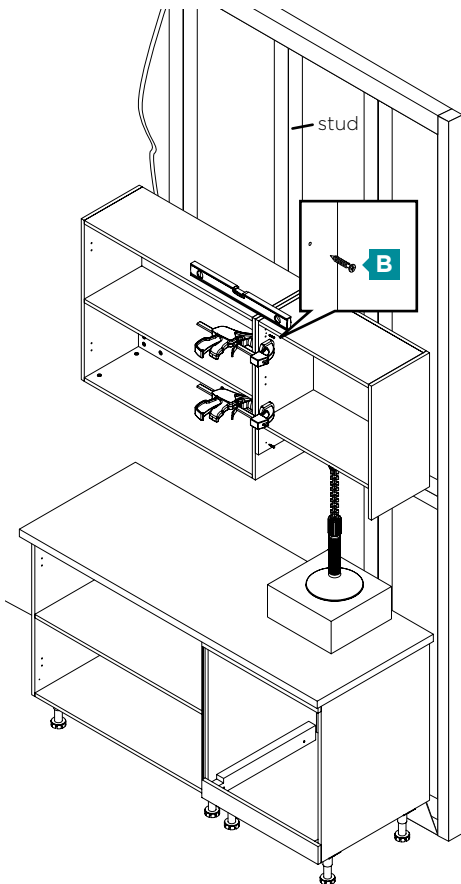


Place masking tape on both sides of the door where holes will be drilled to avoid chipping. Pre-drill using 4.5mm drill bit

STEP 11

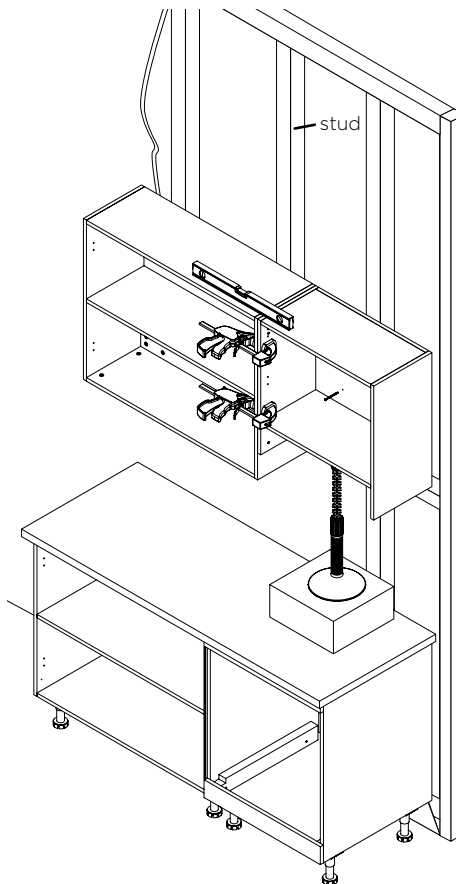


STEP 12



Check cabinets are level then clamp together. Pre-drill using 2mm drill bit and attach cabinets together.

STEP 13



Caution: Please ensure all cabinets are screwed into your timber stud wall using a minimum of 65mm timber screws. If attaching to concrete, brick, steel or any other substrates seek advice from your hardware specialist.