

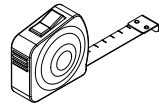
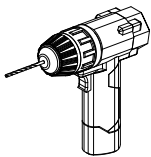
Hardware Included

Tools you will need

To put your cabinets together you will need the following tools.

Cordless drill with:

- Number 2 Phillips head bit
- 4.5mm drill bit
- Number 12 countersinking drill bit



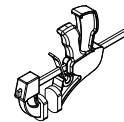
Tape Measure



Pencil



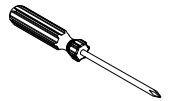
Hammer



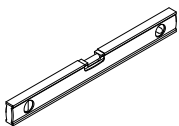
Clamps (Quick Release)



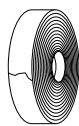
Safety Gear



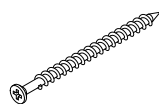
Phillips Head Screw Driver



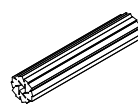
Spirit Level (900mm recommended)



Masking Tape



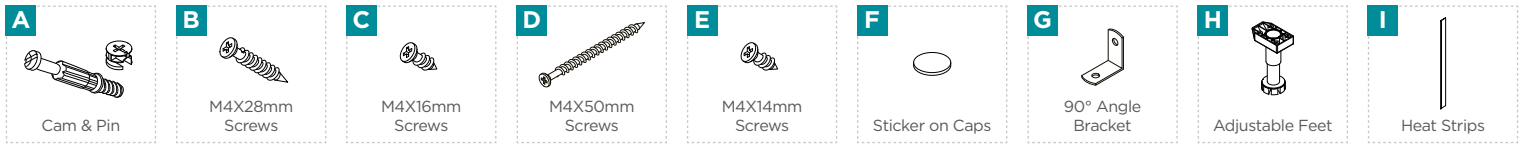
65mm Wood Screw



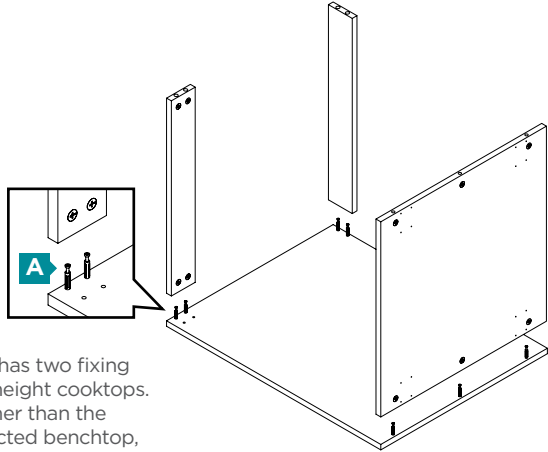
Wall Fixing (If Necessary)

Important notice

- Make sure you leave plumbing and electrical work to qualified trades people. Never try this yourself.
- If you have any questions contact us on **1800 666 078** Monday to Friday between 8:00am and 6:00pm AEST or email: info@flatpax.com.au.



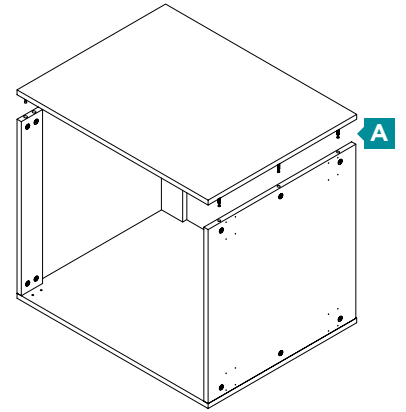
STEP 1



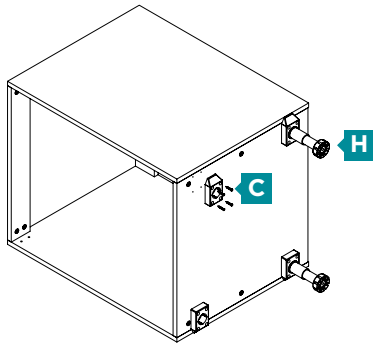
The front support rail has two fixing heights to fit various height cooktops. If your cooktop is higher than the thickness of your selected benchtop, use the lower hole position.

note: Make sure the pre-drilled holes for the adjustable feet are facing outwards.

STEP 2

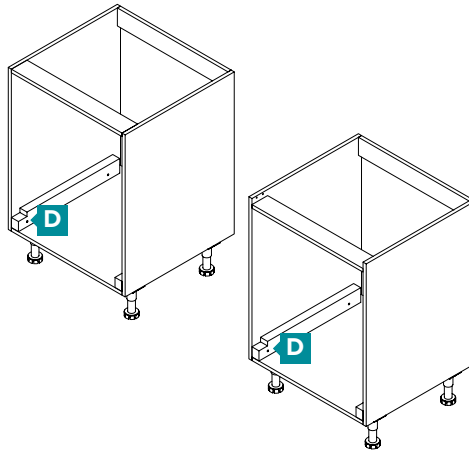


STEP 3

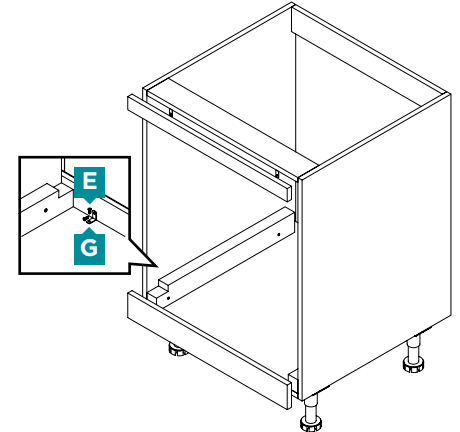


stop: If this cabinet is to be installed at the end of the run refer to the kickboard instructions now on the correct placement of the feet. Set the height of the adjustable feet to 145mm to suit the kickboard.

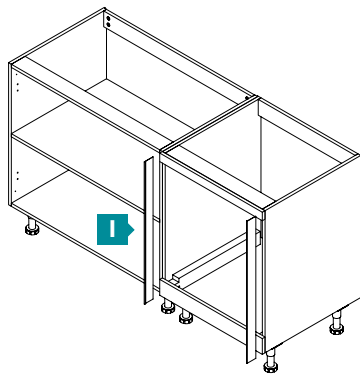
STEP 4



STEP 5

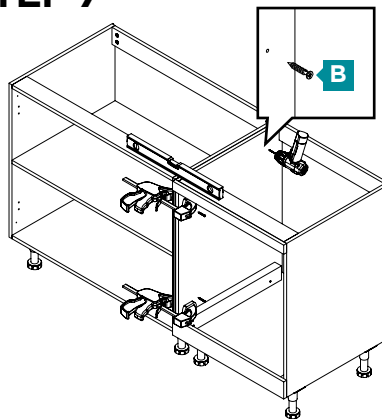


STEP 6



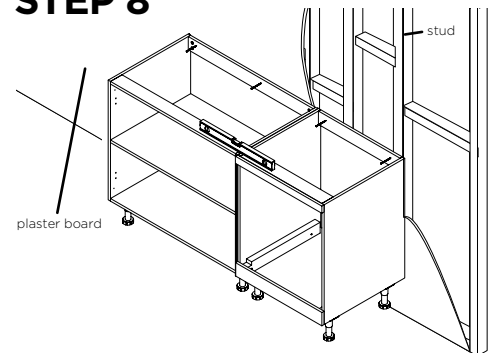
If installing oven cabinet alongside another cabinet, insert heatstrip between both cabinets prior to screwing together. If nothing is alongside the oven cabinet then disregard the heatstrip.

STEP 7



Check cabinets are level then clamp together. Pre-drill using 2mm drill bit and attach cabinets together.

STEP 8



Caution: Please ensure all cabinets are screwed into your timber stud wall using a minimum of 65mm timber screws. If attaching to concrete, brick, steel or any other substrates seek advice from your hardware specialist.